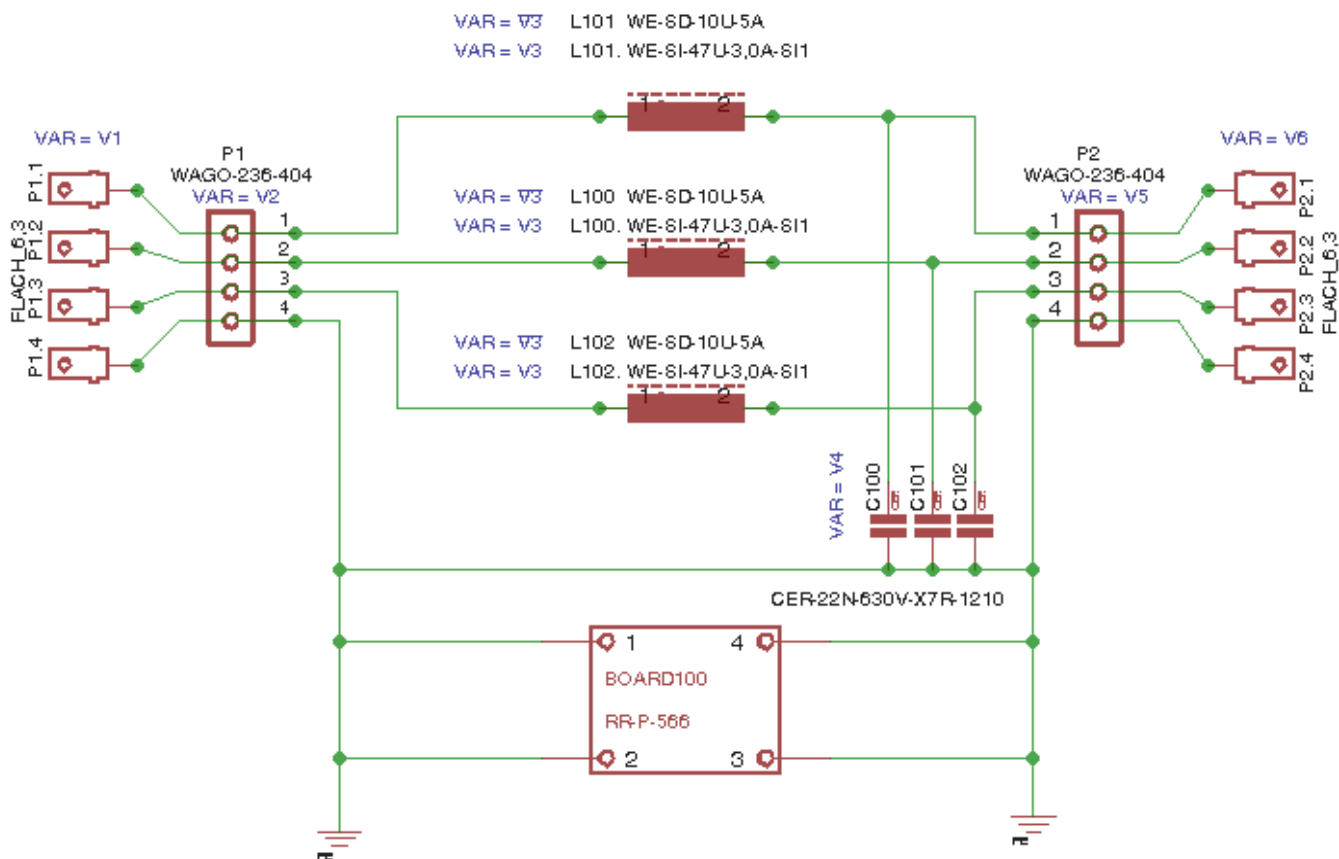


RR-P-566 EMI filter for BLDC-motors

number of stages	3
filter	filter 2nd order (LC)
connections	spring clamps
load	max 60V / max 5A
dimensions	40 x 55 mm 4 mounting holes at the corners, 30 x 45 mm
options	polymer coated with 3M NOVEC1700 (see datasheet DNR23114, DNR23115)
	6.3 x 0.8 connectors
	coils, capacitors

P1 INPUT	
Connector type	WAGO series 236 grid 5.08mm or Würth elektronik series 4137 grid 5.00mm
PIN#	DESCRIPTION
1	line 1
2	line 2
3	line 3
4	PE

P2 OUTPUT	
Connector type	WAGO series 236 grid 5.08mm or Würth elektronik series 4137 grid 5.00mm
PIN#	DESCRIPTION
1	line 1
2	line 2
3	line 3
4	PE



Order information			
part number (L#)	name	description	catalogue number
17070	RR-P-566__-V1	EMI Filter input: spring clamp coil 10 μ H 5A polymer coated output: spring clamp	2781
18617	RR-P-566__-V2	input: blade terminals 6.3x0,8 coil 47 μ 3A polymer coated output: blade terminals 6.3x0,8	2782

Rev.	Date	description	sign
1	24.10.2016	initial release	<i>keämet</i>