

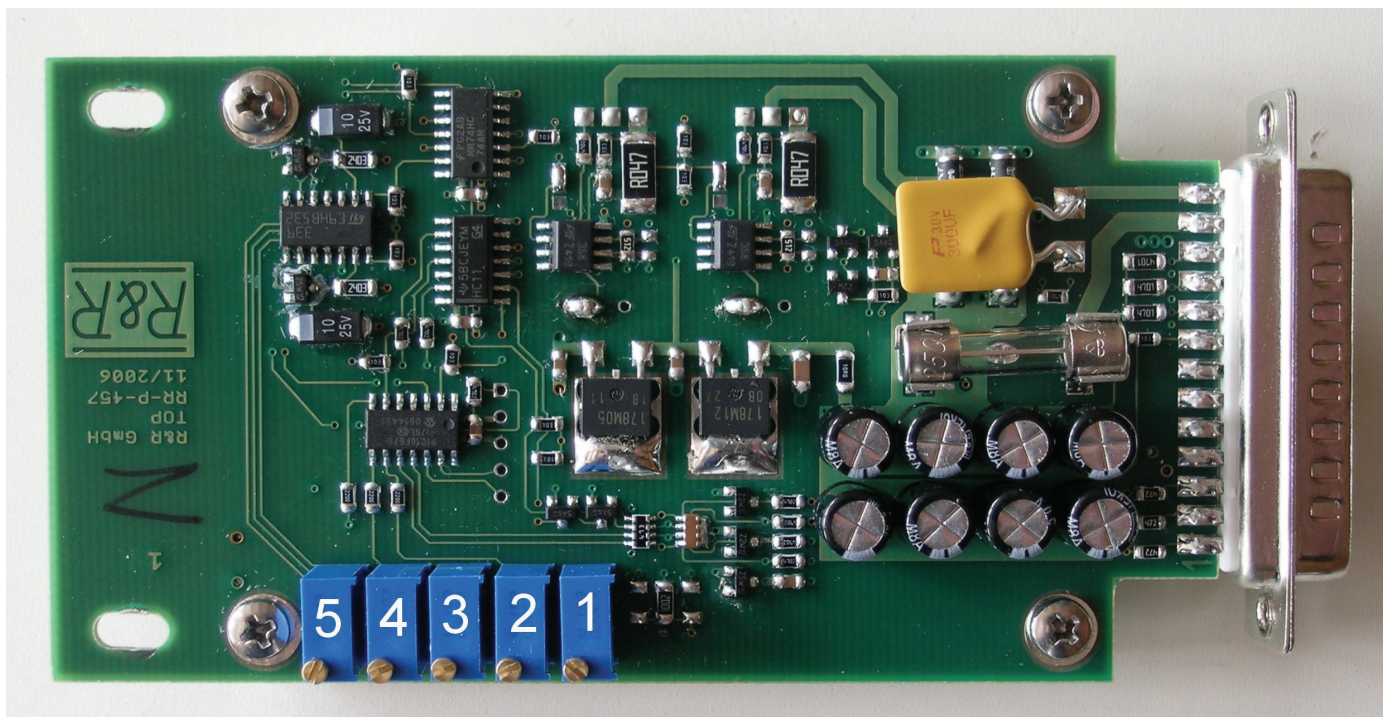


R&R RR-P-457 / ST102 motor-control unit

housing	aluminium anodized
w x h x d	approx. 124 x 84 x 36 mm
	drawing DNR16238
weight	205 g
application	motor desk control unit
	2 keys for movement
	end position shut down by transducer
	potentiometer or digital input
	end positions defined by pre-set potentiometers
power supply	28V (24V..34V) fuse 6.3AT

PCB

RR-P-457



potentiometer	description
1	Position A
2	Position B
3	Delay
4	shut down current B
5	shut down current A

For example A = table up position, B = table down position.

Pin assignment

25pol.Sub-D male plug

pin	signal	Description
1	Current-A	test-point 0..5 volts → 0..5 ampere
14	Current-B	test-point 0..5 volts → 0..5 ampere
2	Delay	test-point 0..5 volts → 0..0.5 seconds
15	Position-A	test-point 0..5 volts
3	Position-B	test-point 0..5 volts
16	0V	reference for test-points / don't connect to power-ground
4	-	not connected / for future extensions
17	-	not connected / for future extensions
5	-	not connected / for future extensions
18	-	not connected / for future extensions
6	-	not connected / for future extensions
19	-	not connected / for future extensions
7	-	not connected / for future extensions
20	+5 volts	poti / reference for analogue-input
8	Wiper	poti / analogue input
21	0V	poti / reference for analogue-input / don't connect to power-ground
9	Key-B	digital – input / switch NO
22	Key-A	digital – input / switch NO
10	Stop-B	digital – input / switch NC
23	Stop-A	digital – input / switch NC
11	over-temp	digital – input / switch NC
24	0V-power	power-supply-ground / reference for digital inputs
12	+28V-DC	power-supply-input
25	+Direction-B	power-output / positive if motor runs in direction B
13	+Direction-A	power-output / positive if motor runs in direction A

signal	type	description
over-temp	digital – input / switch NC	If this input is logical high or open, the motor is turned off
stop-B	digital – input / switch NC	If this input is logical high or open the motor does not run into direction B
stop-A	digital – input / switch NC	If this input is logical high or open, the motor does not run into direction A
key-A	digital – input / switch NO	If this signal changes from high to low the motor starts running into direction A until the key is released. The motor will stop also when: - stop-A input is high or - position-A is reached *1 The key-B is blocked (2 key lock out)
key-B	digital – input / switch NO	If this signal changes from high to low the motor starts running in direction B until the key is released. The motor will stop also when: - stop-B input is high - or position-B is reached *1 Key-A is blocked (2 key lock out)
Wiper	analogue input	Input for position-sensor(potentiometer) The analogue input is specified for an input voltage range from 0 volts to 5 volts Attention! Take care about the direction: Movig in direction A = rising voltage *1
+28V-DC 0V-power	power-supply-input power-supply-ground	power-supply inputs
+direction-A +direction-B	power-outputs	DC motor

*1 To disable the position sensing connect the wiper to 0V (PIN21)

digital inputs

V_{low}	input < 8 volts	0
	8V < input < 16 V	undefined
V_{high}	input > 16 volts	1

All digital inputs have an internal pull up-resistor of 4.7 k Ω connected to +28V-DC
The reference point for the digital inputs is 0V-power (Pin 24 of the connector)

analogue input

The analogue input is specified for an input voltage range from 0 volts to 5 volts
Connect the potentiometer to the pins 20, 8 and 21.

Potentiometer value 1 k Ω up to 22 k Ω

Attention!

Take care about the direction:

Moving in direction A = rising voltage

Position sensing is disabled if the wiper voltage is lower 0.1V !

power output

maximum continue current 5A (low side switch) adjustable thresholds and delay

current limitation 8A (short time) (high side switch)

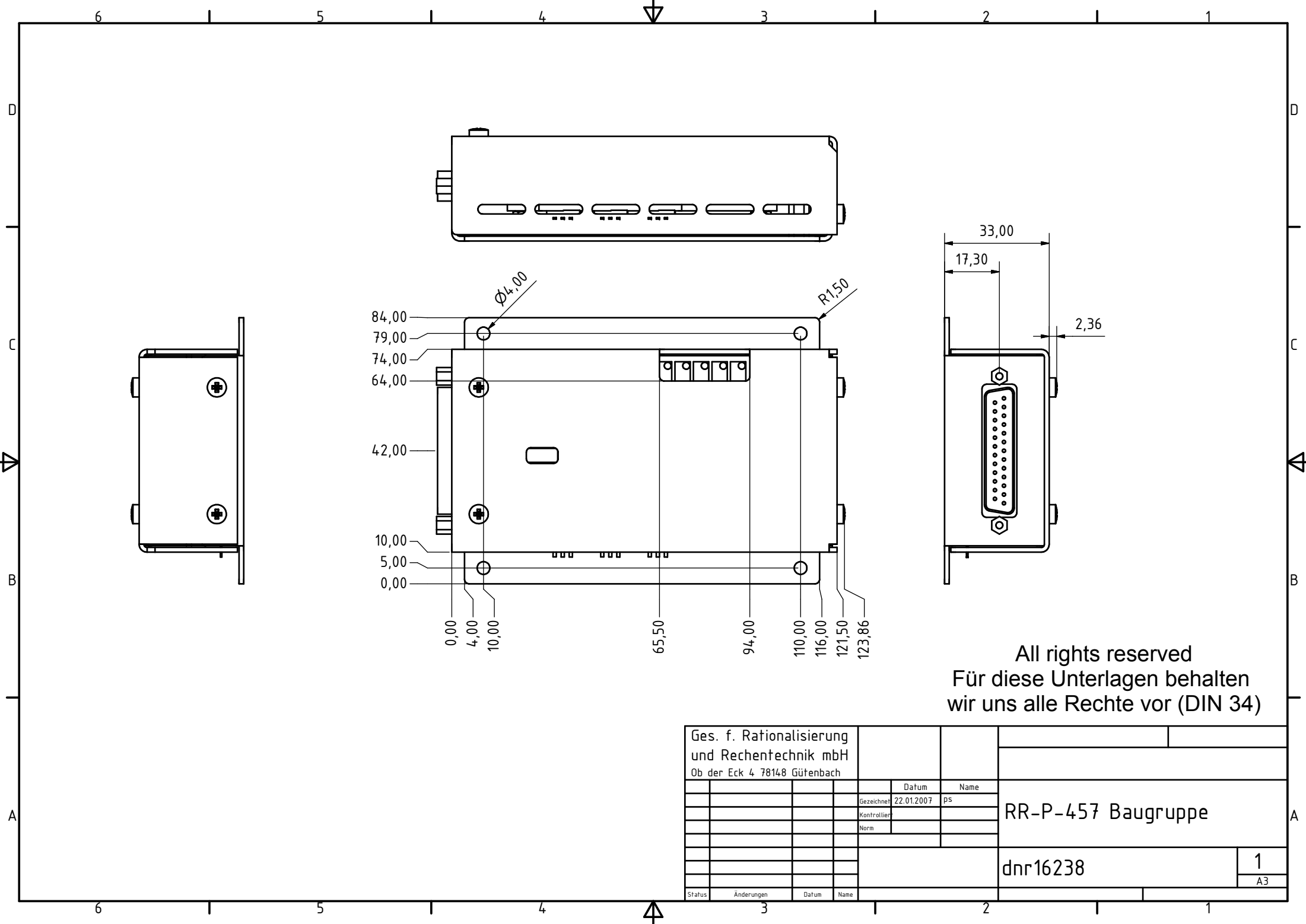
current limitation 6.3A by fuse

security

Motor current limiter and delay are done by hardware.

Appendix

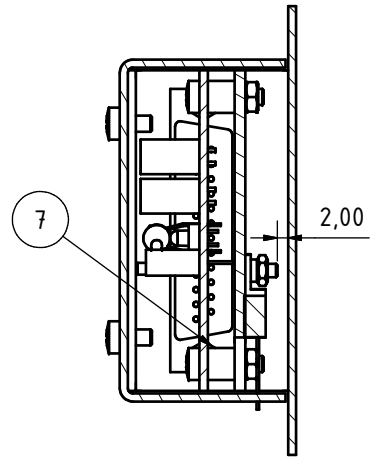
Drawing DNR 16238



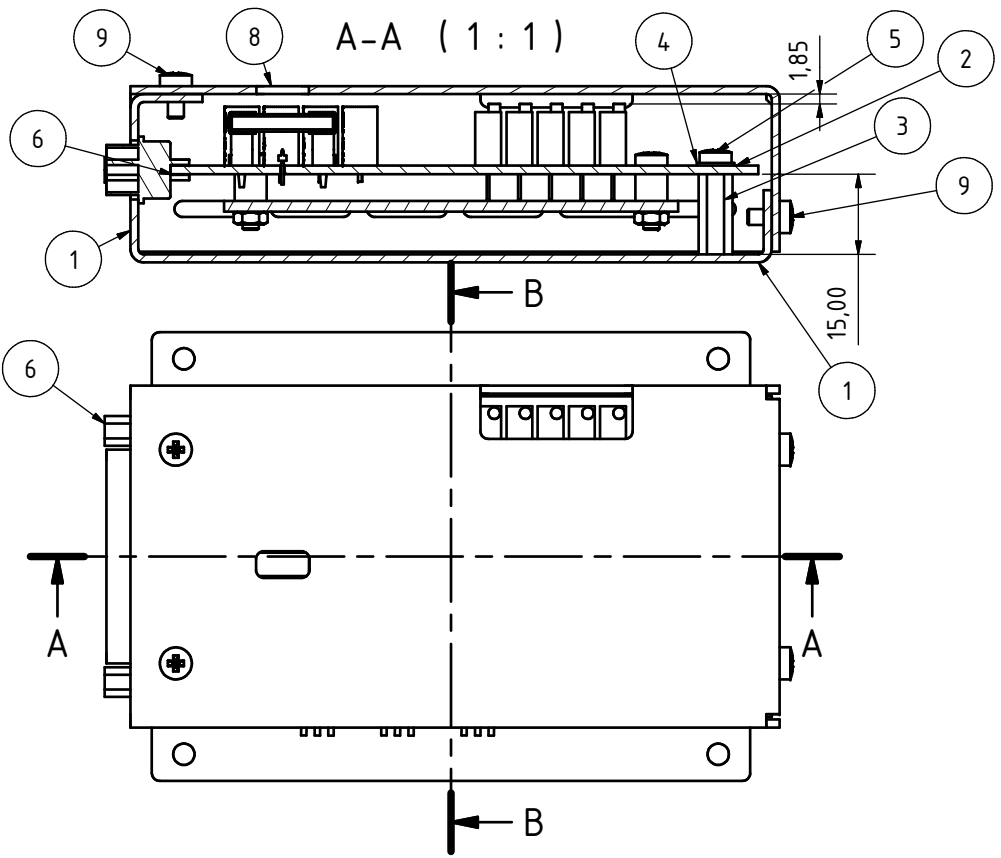
All rights reserved
 Für diese Unterlagen behalten
 wir uns alle Rechte vor (DIN 34)

Ges. f. Rationalisierung und Rechentechnik mbH Ob der Eck 4 78148 Gütenbach							
		Datum		Name			
		22.01.2007		PS		RR-P-457 Baugruppe	
		Gezeichnet					
		Kontrolliert					
		Norm					
						dnr16238	
						1	
						A3	
Status	Änderungen	Datum	Name				

B-B (1:1)



A-A (1:1)

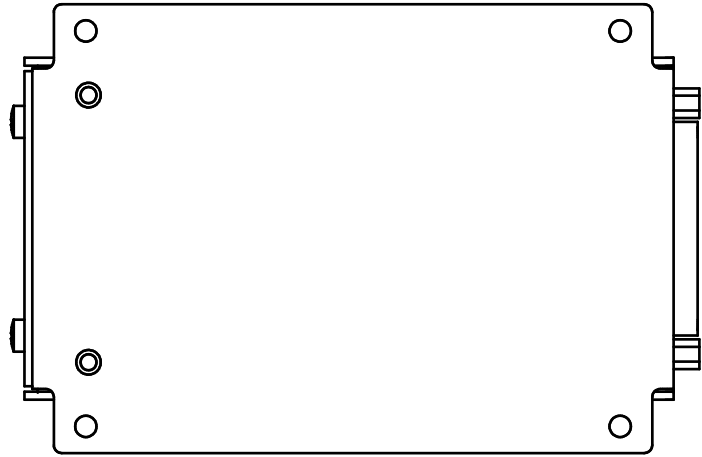


Stückliste

OBJEKT	ANZAHL	BAUTEILNUMMER	LAGERNUMMER	BEZEICHNUNG
1	1	dnr16239	10652	RR-P-457 Gehäuseboden Al natur eloxiert
2	1	dnr16231		RR-P-457 Baugruppe mit Kühlblech
3	2	SW55_M3_I_15	4919	Sechskantabstandsbolzen Ms M3 2x Innengewinde
4	2	DIN125-M3	2281	Unterlegscheibe
5	2	529	529	Linsenschraube DIN7985-M3-08
6	2	DSUB-Verschraubung Bolzen		
7	2	DSUB-Verschraubung Mutter		
8	1	dnr16240	10653	RR-P-457 Gehäusedeckel
9	4	528	528	Linsenschraube DIN7985-M3-06

All rights reserved
Für diese Unterlagen behalten wir uns alle Rechte vor (DIN 34)

Ges. f. Rationalisierung und Rechentechnik mbH Ob der Eck 4 78148 Gütenbach				Datum	Name	RR-P-457 Baugruppe
				22.01.2007	PS	
dnr16238						2
						A3
Status	Änderungen	Datum	Name			



All rights reserved
 Für diese Unterlagen behalten
 wir uns alle Rechte vor (DIN 34)

Ges. f. Rationalisierung und Rechentechnik mbH Ob der Eck 4 78148 Gütenbach										
				Datum	Name	RR-P-457 Baugruppe				
				Gezeichnet	22.01.2007					PS
				Kontrolliert						
				Norm						
						dnr16238			3	
									A3	
Status	Änderungen	Datum	Name							